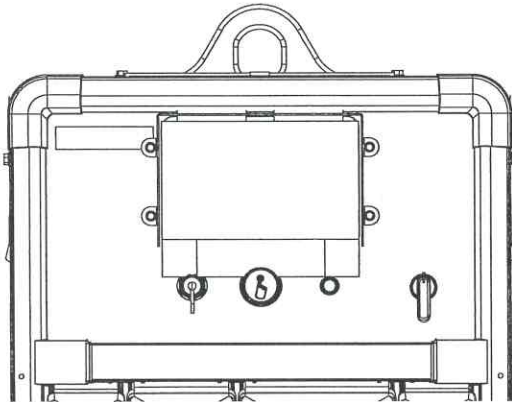

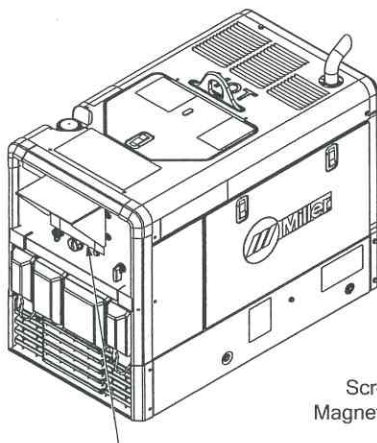
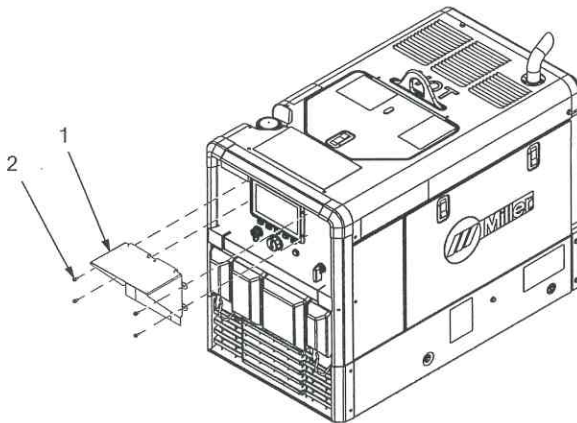


3. Installing Sunshade

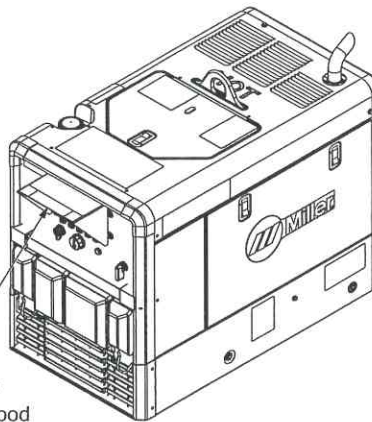


 Screw holes in the front panel are behind the name plate.

Align sunshade as shown and install with 4 screws.



Screen Cover
Magnetized To Front Panel



Screen Cover
Magnetized To Hood

301714 Kit, Sunshade W/Screen Cover Bobcat/Trailblazer

Item No.	Dia.Part No. Mkgs.	Description	Quantity
1	295527	Assy, Sunshade	1
2	082193	Screw, 010-32 X .37 Hexwhd-Slt Stl Pld Slfmg Tap-Rw	4